



ART's unique cave cameras are designed specifically for multi-sided projections (e.g. CAVE or I-Space). The camera lenses look through small holes drilled into the corners of the projection screens and make the rest of the tracking system disappear within the virtual landscape.

Technical Data

General Camera Data	
Image sensor	1280 x 1024 Pixel
Frame rate (sensor)	150 Hz @ full frame, up to 300 Hz with reduced resolution
Head of the camera	Ø 36.5mm, connected to the electronics box via a 60cm flexible cable*
Image processing	Integrated
IR source	25 high power LEDs, 850 nm, adjustable in intensity Keep a distance of min. 20 cm when operating the camera! The camera poses no risk or hazard to the human eye or skin at the distance and is therefore assigned to the Exempt Group according to IEC62471-1.
Data transfer, sync and power supply	Via RJ45 cable (CAT5)
Cooling	Passive, noiseless
Operating temperature	Up to 35°C
Power consumption	17W
Weight	Camera Head: 160g; Electronics box: 540g

* The head cannot be separated from the cable

Available lenses and operation modes				
Compatible lenses		Operation mode		
		@ 150Hz	@ 240Hz	@ 300Hz
4.0mm	Sensor resolution (pixels)	1280 x 1024	1024 x 750	800 x 600
	Frustum [m ³]	60	22	10
	FoV (horiz. x vert.)	89° x 71°	71° x 52°	56° x 42°
	Max. tracking range [m]**	4.75	4.0	3.5

** based on 12 mm spherical passive markers

System latency			
4 cameras, 4 targets	Δ = 10.0ms	Δ = 7,5ms	Δ = 6,3ms
4 cameras, 10 targets	Δ = 11.0ms	Δ = 8,5ms	Δ = 7,5ms
8 cameras, 4 targets	Δ = 10.3ms	Δ = 8,0ms	Δ = 6.4ms
8 cameras, 10 targets	Δ = 11.4ms	Δ = 9.2ms	Δ = 7.6ms

ARTTRACK5/C

Compatible PoE+ Switches

- Netgear M4100-12G-PoE+, 12 Port, 380 W, full PoE+
- Cisco SG300-10MPP

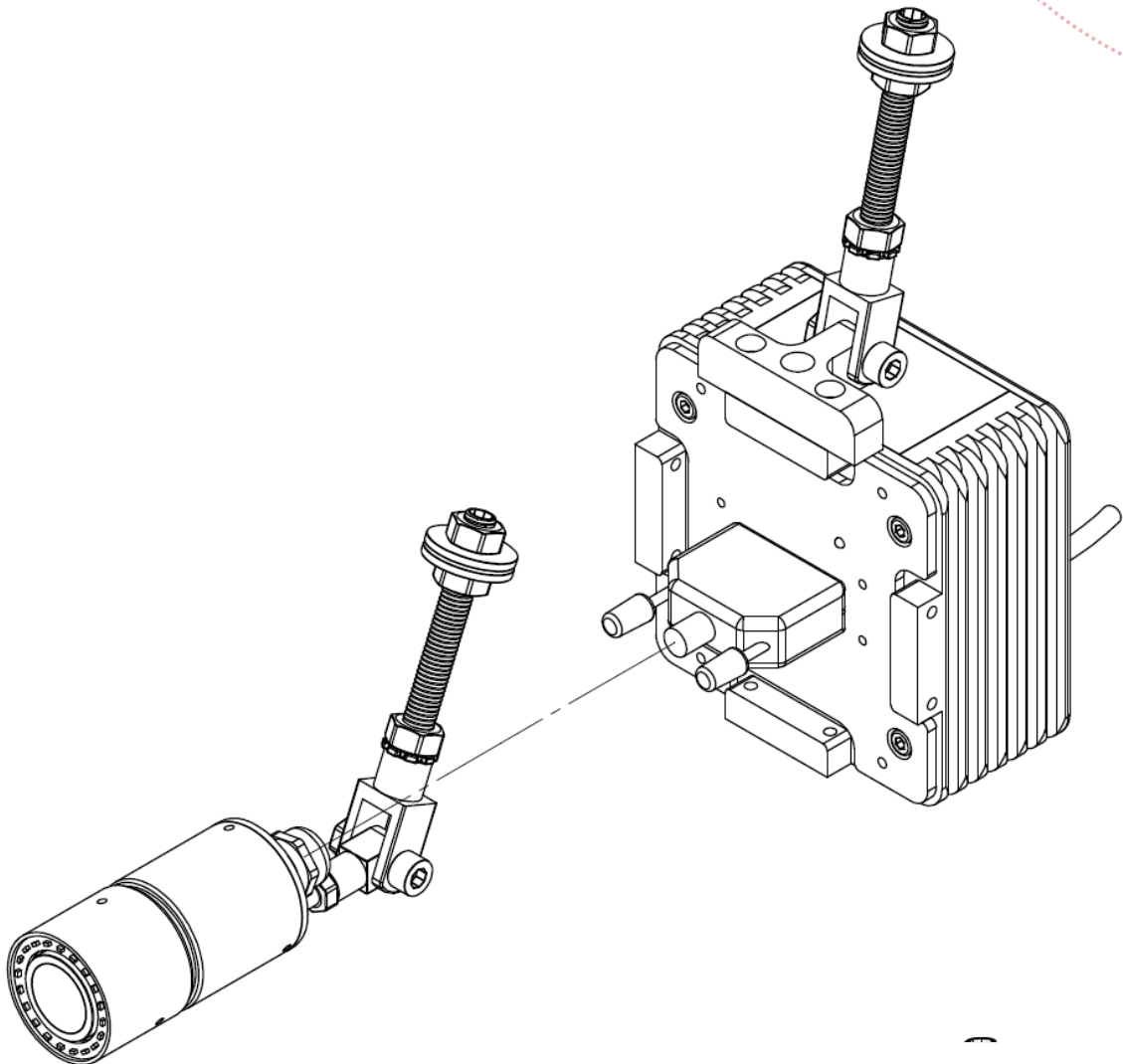
European Declaration of Conformity

Directives	<ul style="list-style-type: none">• EMC-Directive 89/336EEC• Low Voltage Directive 73/23/EEC Modified by 93/68/EEC
Standards Compliance	<ul style="list-style-type: none">• DIN EN 60950-1• EN 61000 -2/ -3• EN 55103 -1/ -2

Technical Drawing

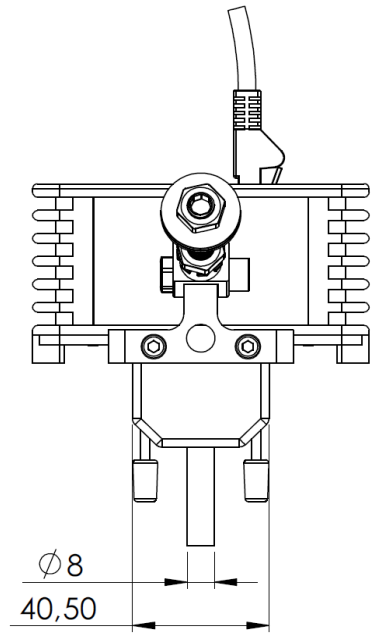
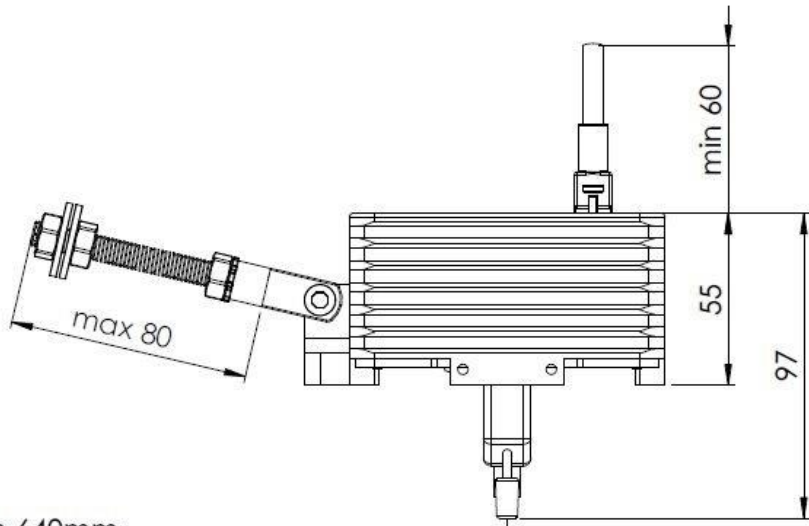
EN 55022

all dimensions in [mm] unless otherwise specified

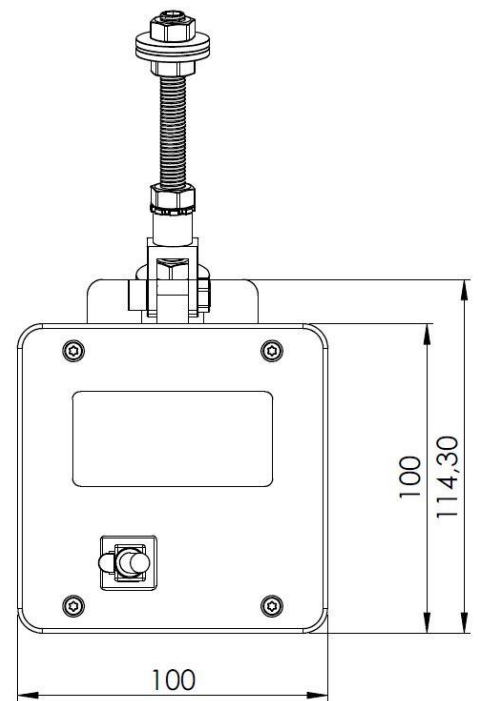
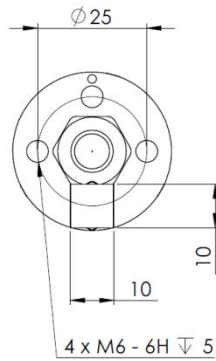
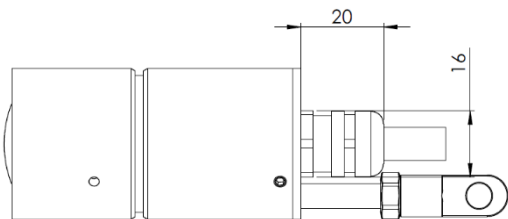
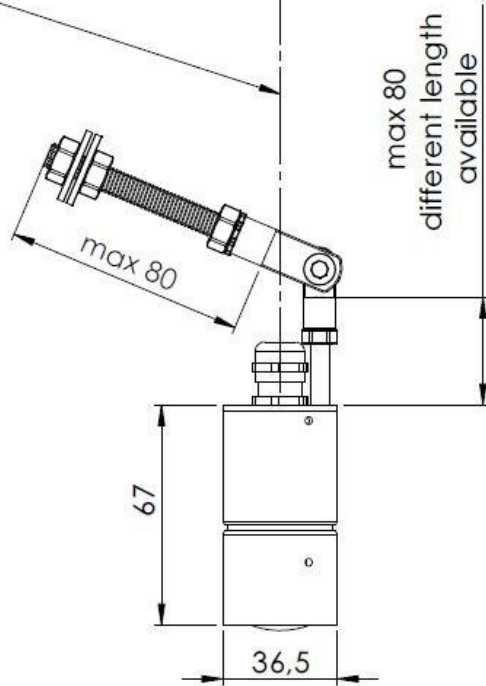


3 3W

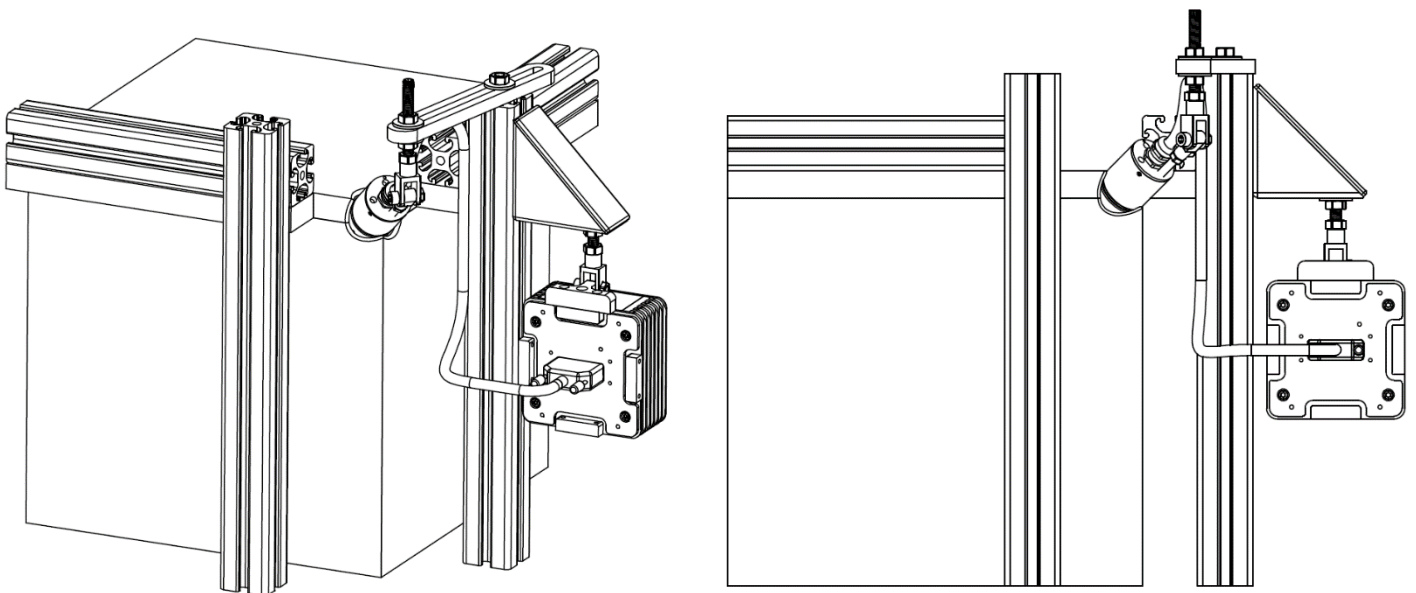
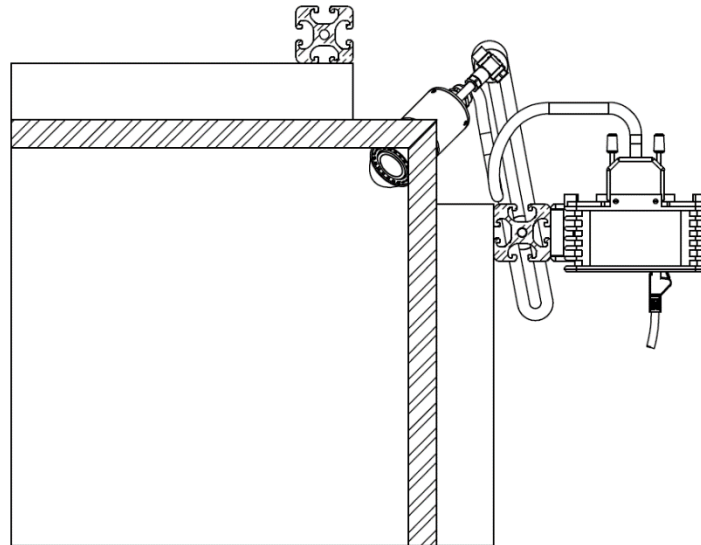
ARTTRACK5/C



cable length 640mm



ARTTRACK5/C



Buildup-View