



ART's unique new camera specially adapted for outdoor applications such as in-car tracking systems. It consists of 10nm narrow bandpass interference filter. Narrow band-pass interference filter makes possibility of tracking even in daylight.

Technical Data

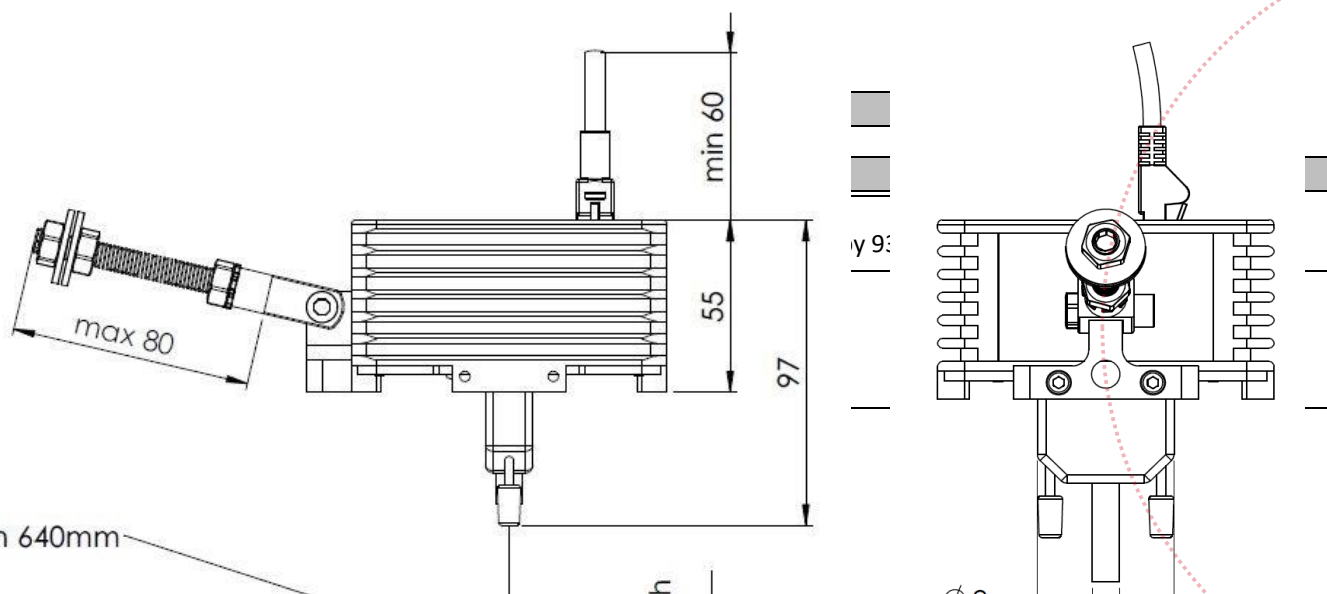
General Camera Data	
Image sensor	1280 x 1024 Pixel
Frame rate (sensor)	150 Hz @ full frame, up to 300 Hz with reduced resolution
Head of the camera	Ø 36.5mm, connected to the electronics box via a 60cm flexible cable*
Image processing	Integrated
IR source	25 high power LEDs, 850 nm, adjustable in intensity Keep a distance of min. 20 cm when operating the camera! The camera poses no risk or hazard to the human eye or skin at the distance and is therefore assigned to the Exempt Group according to IEC62471-1.
Data transfer, sync and power supply	Via RJ45 cable (CAT5)
Cooling	Passive, noiseless
Operating temperature	Up to 35°C
Power consumption	17W
Weight	Camera Head: 160g; Electronics box: 540g

* The head cannot be separated from the cable

Available lenses and operation modes				
Compatible lenses		Operation mode		
		@ 150Hz	@ 240Hz	@ 300Hz
4.0mm	Sensor resolution (pixels)	1280 x 1024	1024 x 750	800 x 600
	Frustum [m ³]	60	22	10
	FoV (horiz. x vert.)	89° x 71°	71° x 52°	56° x 42°
	Max. tracking range [m]**	4.75	4.0	3.5

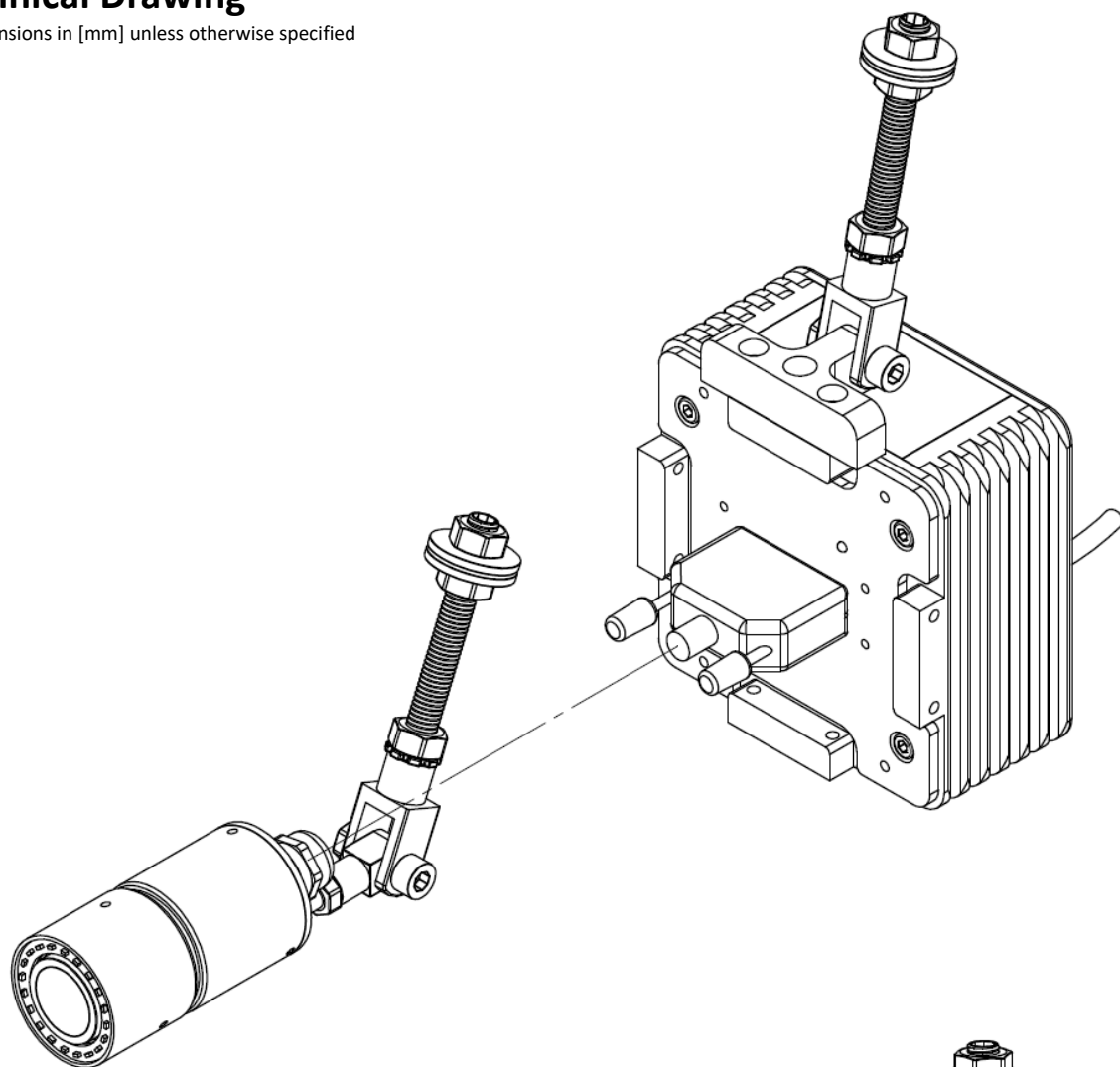
** based on 12 mm spherical passive markers

System latency			
4 cameras, 4 targets	Δ = 10.0ms	Δ = 7,5ms	Δ = 6,3ms
4 cameras, 10 targets	Δ = 11.0ms	Δ = 8,5ms	Δ = 7,5ms
8 cameras, 4 targets	Δ = 10.3ms	Δ = 8,0ms	Δ = 6.4ms
8 cameras, 10 targets	Δ = 11.4ms	Δ = 9.2ms	Δ = 7.6ms



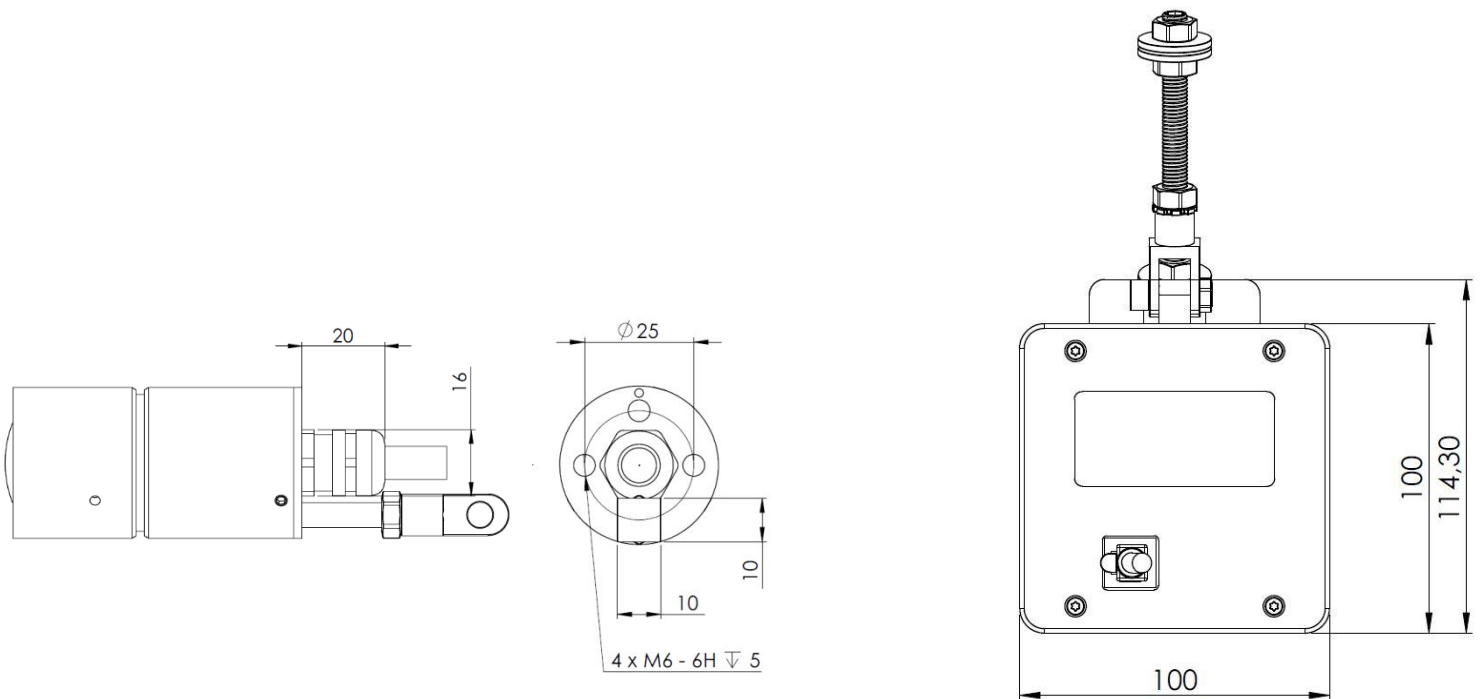
Technical Drawing

all dimensions in [mm] unless otherwise specified

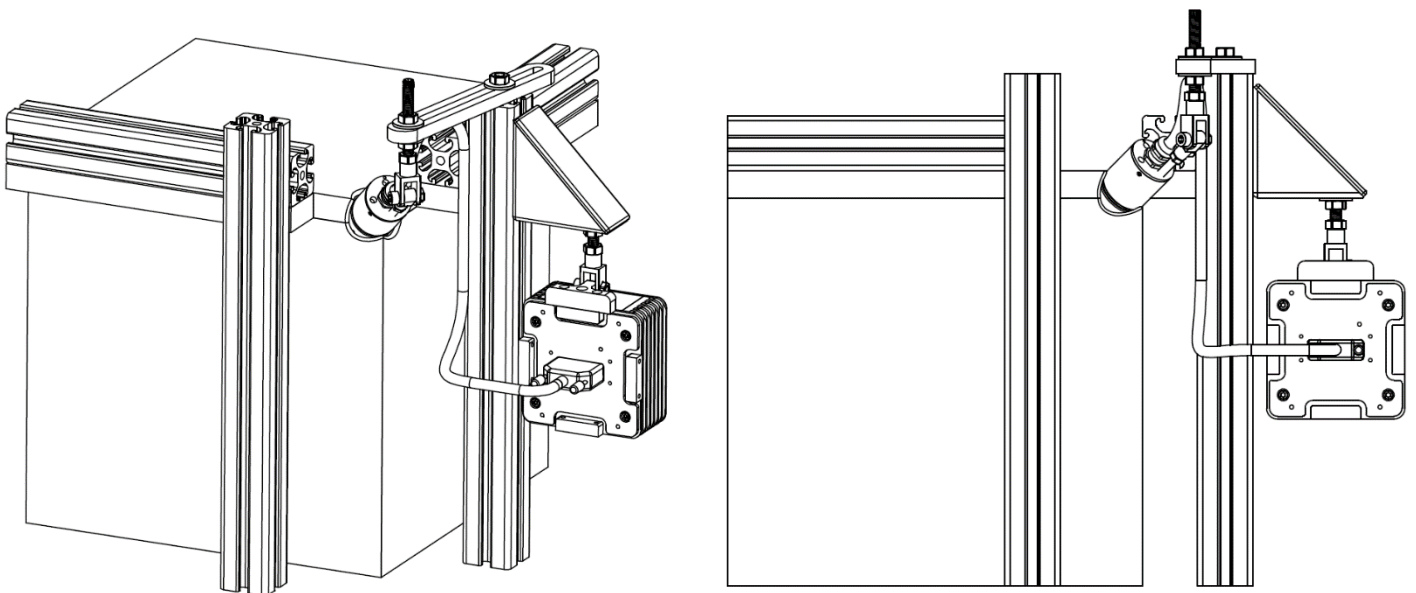
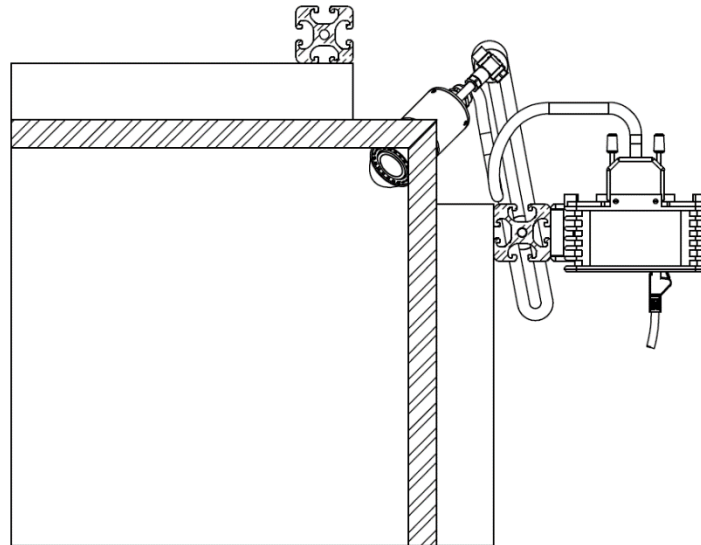


3D Overview

ARTTRACK5/C IF



ARTTRACK5/C IF



Buildup-View