

Flex Series

Quick Start Guide

1 Install Software

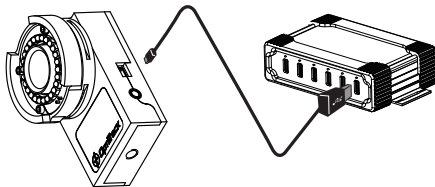
Download and run the latest software installer on your host computer. Please visit www.optitrack.com/support/downloads/ for a list of compatible software.

2 Setup Camera Network

Single Camera:

Connect the Flex camera to a USB port of an OptiHub 2 or generic USB hub or port.

Diagram 1. Single camera to USB port



Multiple Cameras:

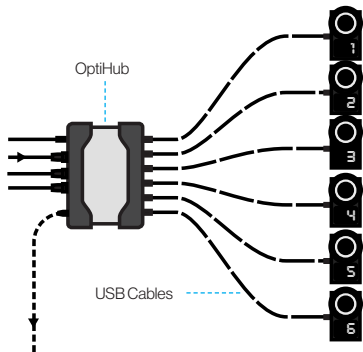
Multiple OptiTrack cameras may be synchronized for greater precision via an OptiHub 2 or a Sync Cable and Splitter.

USB to OptiHub 2:

Syncing requires Flex cameras to be connected to an OptiHub 2 (see Diagram 2). Refer to the OptiHub 2 Quick Start Guide included with your OptiHub for detailed information.

Initiate camera synchronization via software.

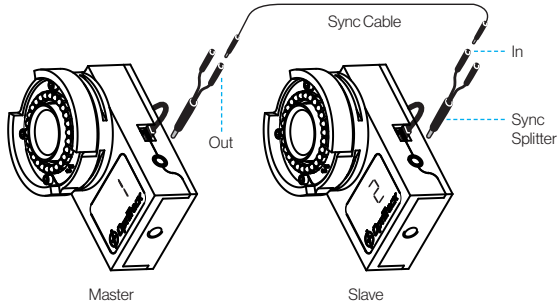
Diagram 2. Multiple camera network with OptiHub 2.



Sync Cable and Splitter:

1. Plug in Camera Sync Splitter to each camera (see Diagram 3)
2. Connect master device "out" connector to slave camera's "in" connector using a Sync Cable (sold separately).
3. Initiate camera synchronization via software.

Diagram 3. Multiple camera network using Sync Cable & Sync Splitter

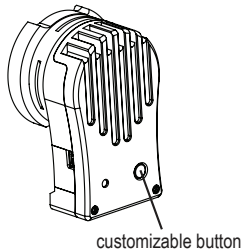


3 Focus Flex 13 Cameras

The Flex 13 camera features a customizable button on the back, in the bottom right corner. This button can be used to zoom in on the camera's 2D view for aiming and inspection in the software.

Flex 13 Camera Button

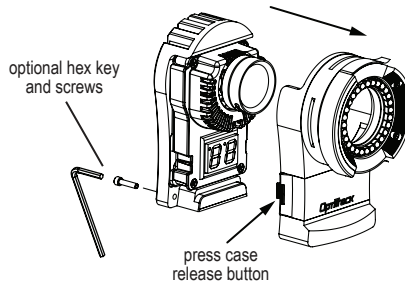
The Flex 13 camera features a customizable button on the back, in the bottom right corner. This button can be used to zoom in on the camera's 2D view for aiming and inspection in the software.



Flex 13 Release Button

The front of the Flex 13 case can be easily removed to facilitate lens focus. Firmly press the case release button then gently pull the front of the case off the camera.

The case front can be locked in place more securely if desired by using the screws and hex key included with the camera.



Technical Notes

- Make sure all USB hubs used with the device are externally powered (plug into wall).
- For best performance, use the device with OptiTrack's OptiHub 2.
- Users must have administrative privileges to install the USB drivers on their computer.
- **Important:** Flex 13 cameras must be directly connected to an OptiTrack OptiHub 2 in order to power their IR LEDs.

Need help?

Call technical support at [1-888-965-0435](tel:1-888-965-0435) or e-mail us at support@optitrack.com