

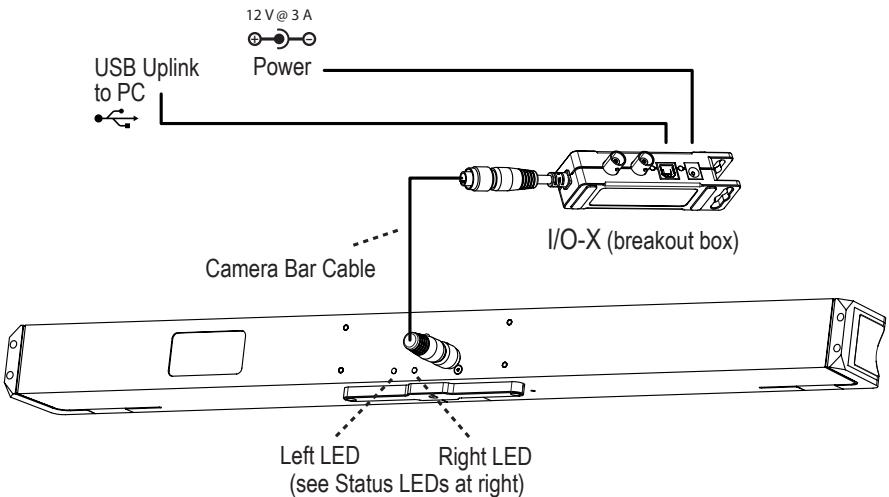
# OptiTrack

## Duo 3/Trio 3 Quick Start Guide

**Step 1:** Download the Motive software installer from the Motive Download Page: [www.optitrack.com/downloads/](http://www.optitrack.com/downloads/)

Run the installer and follow its prompts. The Duo 3 and Trio 3 both include a free license to Motive:Tracker, so no software license activation is required.

### Step 2: Plug in Hardware



*(continued on back)*

### Step 3: Notes

- After starting Motive software, the device should be ready to track immediately.
- Licensing and calibration are automatic and built into the device.
- Warning: Ensure power has been disconnected from the I/O-X (breakout box) before plugging or unplugging the Camera Bar Cable. Hot-plugging this cable may damage the device.

### Step 4: Indicator LEDs

Put on the motion capture suit and ensure that it is as tight as possible. Motive derives the position of each body segment from the markers that you will place on the suit, so preventing the shifting of markers due to a loose-fitting suit is essential.

#### Left LED Color

None	Device is Off
Red	Device is On
Amber	Device is recognized by Motive

#### Right LED Color

None	Tracking/video is not enabled
Red (Solid)	Configured for External-Sync: Sync Not Detected
Red (Flashing)	Configured for Default, Free Run Mode or External Sync: Sync Detected
Green (Solid)	Configured for Internal-Sync: Sync Missing
Green (Flashing)	Configured for Internal-Sync: Sync Present

**Scan QR code to view online quick start guide.**

© 2025 NaturalPoint Inc. dba OptiTrack. All rights reserved. NaturalPoint, OptiTrack, Motive, trademarked slogans and logos are the property of NaturalPoint. All other product names are trademarks or registered trademarks of their respective companies. 05.25

