

# Duo 3 / Trio 3

## Product Details

The Duo 3 and Trio 3 tracking systems offers the power of multiple-camera, 6DoF object tracking all in a single, plug-and-play hardware package.



# Duo 3 / Trio 3

## Specifications

### Duo 3

### Trio 3

Performance		
Maximum Frame Rate (Full Resolution)	120 Hz	
Selectable Frame Rates	Yes (30, 60, 120)	
Latency @ Max Frame Rate and Full Resolution	8.33 ms	
3D Accuracy	Sub-Millimeter	
Marker Type	Passive	
Maximum Detection Distance	4.6 m (15 ft.)	5.2 m (17 ft.)
Sensor		
Resolution	640 x 480 (2x)	640 x 480 (3x)
Pixel Count	0.3MP	
Shutter Type	Global	
Adjustable Exposure	Yes	
Shutter Speed (Default)	1 ms	
Shutter Speed (Min.)	20 ms	
Physical Attributes		
Width	298.4 mm (11")	584.2 mm (23")
Height	40.6 mm (1.6")	
Depth	50.8 mm (2.0")	
Weight (includes lens)	0.6 kg (1.3 lbs)	1.3 kg (2.8 lbs)
Base Materials	Aluminum	
Color	Silver and Black	
LED Rings		
Contains	Yes	
Number of LEDs	26 (2X)	26 (3X)
LED Wavelength	850 nm	
LED Output	Strobe or Continuous	
Adjustable Brightness	Yes	
Optical Attributes		
Lens FOV (HxV)	47° x 43°	
Lens Focal Length	3.5 mm	
Lens Adjustable Focus	No (Factory Set)	
Lens Adjustable F-Stop	2	
Filter Wavelength	800 nm Longpass (Left and Right cameras)	
Filter Switcher	No	Yes
Filter Switcher Wavelength	N/A	Visible and 800 nm longpass (Middle Camera)
Electrical Attributes		
Power Inpt	12V	
Power Draw (max)	3A	
Connector	USB 2.0	
Cabling	USB	

# Duo 3 / Trio 3

## Specifications

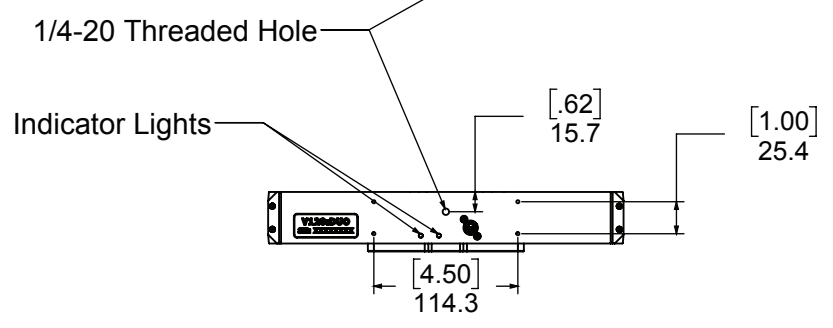
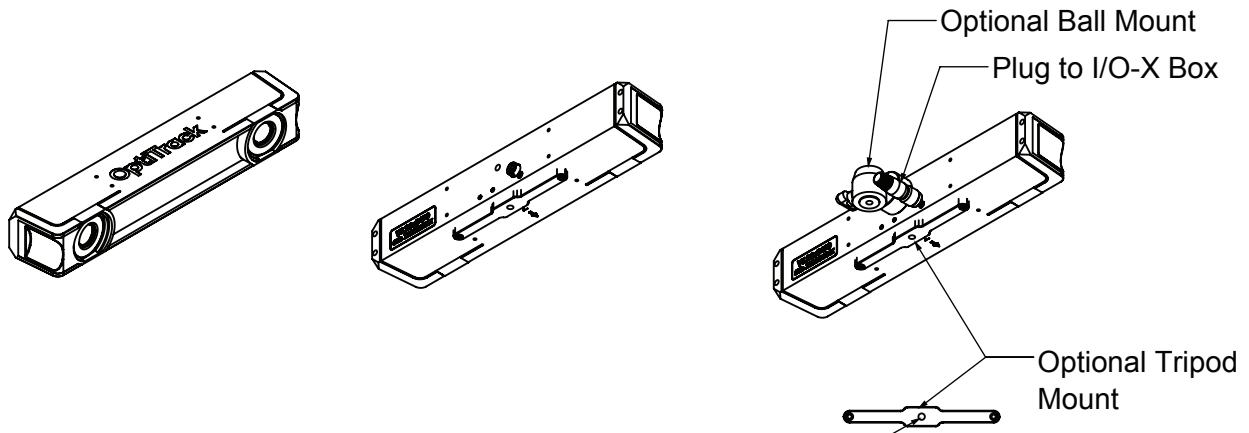
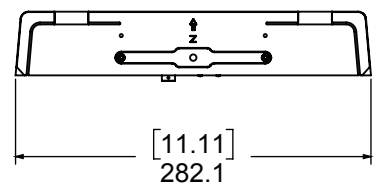
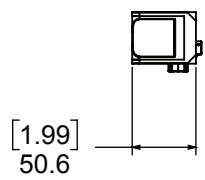
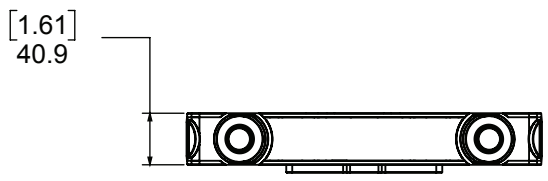
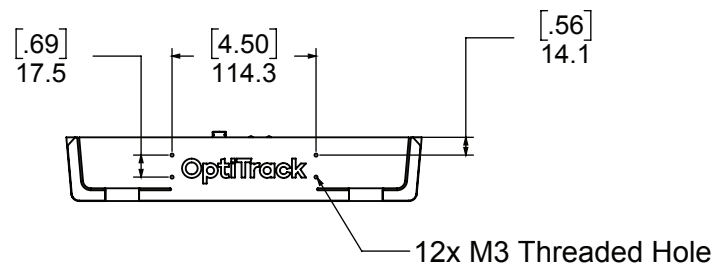
Duo 3

Trio 3

Data Architecture	
Communication	USB 2.0
Ethernet Protocol	OptiTrack Proprietary
Camera Sync	Internal or External (via io-X)
Image Processing	Segment Selective Grayscale MJPEG Grayscale Raw Grayscale
Grayscale Depth	8-bit
Status Indicators	
Display (OLED)	128 x 22
Mounting	
Type and QTY	1/4"-20 (1X)
Environment	
IP Rating	IP 4X
Operational Temperature	-40 - 70 °C
Storage Temperature	0 - 50 °C
RoHS Compliant	Yes
CE	Yes
In the Box	
Camera	1
Quick Start Guide	1
12V Universal Power Supply	1
USB Uplink Cable (5 m)	1
Hard Reflective Markers (7/16 in.)	1 set of 5
Hard Marker Bases (1 in.)	1 set of 5
Hand Rigid Body	1

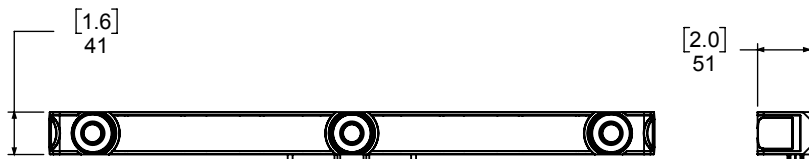
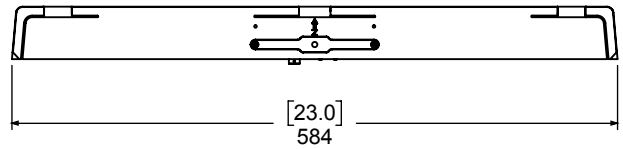
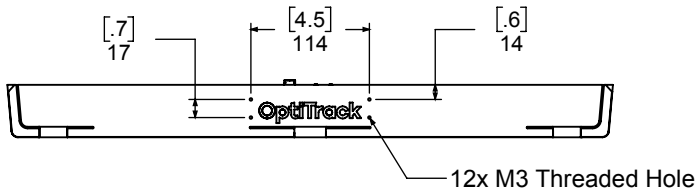
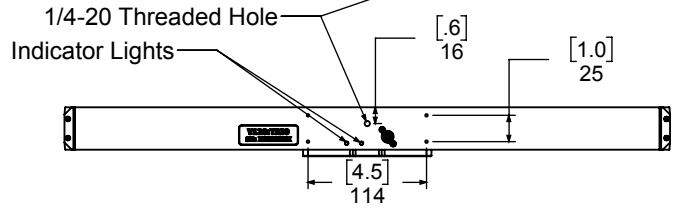
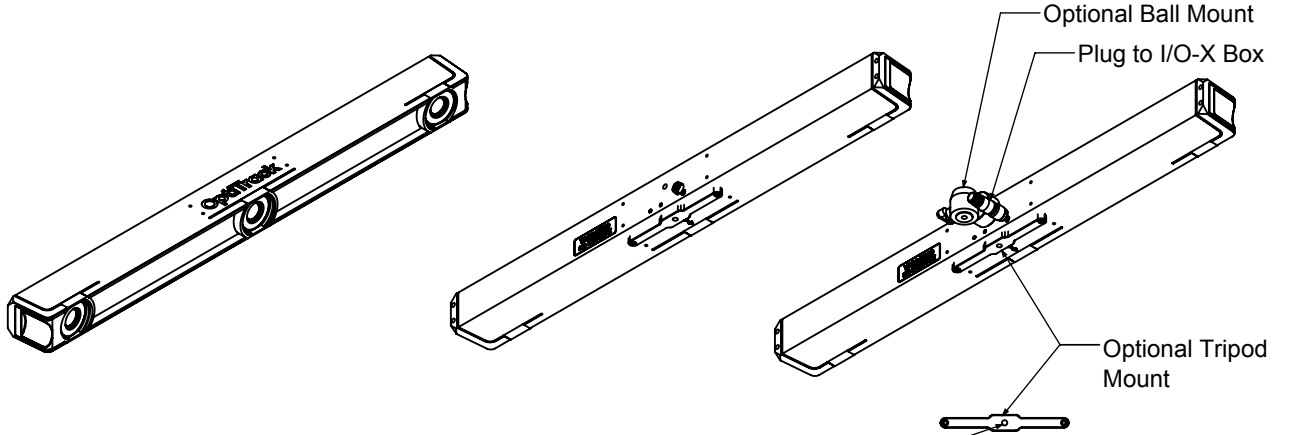
# Duo 3

## Technical Drawings



# Trio 3

## Technical Drawings



All specifications are subject to change without notification.

© 2025 NaturalPoint Inc. dba OptiTrack. All rights reserved. NaturalPoint, OptiTrack, Motive, trademarked slogans and logos are the property of NaturalPoint. All other product names are trademarks or registered trademarks of their respective companies 03.25

**OptiTrack**